

infinique



IMSDI10 - Indoor Dome

IMSDO10 - Outdoor Dome

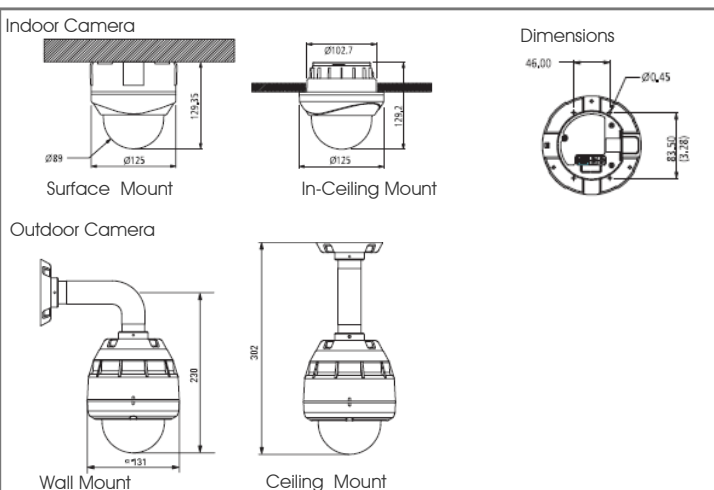


Mini Speed Dome Cameras

Features

- The world smallest Mini Speed Dome Camera
- Aesthetically design for indoor and outdoor applications
- Built-in 10x Auto Focus Optical Zoom, Digital 10x Zoom
- Horizontal Resolution 500TVL
- 1/4" Interline Transfer CCD
- Multi Protocol & Baud Rate Support (Pelco-D | Pelco-P/ STD.)
- Day and Night(ICR),0.7 Lux with ICR ON
- Programmable User Preferences (Preset, Tour, Scan, etc.)
- Vector Scan & Diagonal Scan during Auto Tour
- Easy Installation using single UTP cable
- Outdoor : Vandal Proof, IP67, Fan and Heater included

Dome	
Panning Range & Speed	0°~360° Max 360°/sec
Tilting Range & Speed	-2°~90° Max 90°/sec
Preset Speed	Max 400°/sec
Preset Position	1~240 positions
Group Tour	1~8 group tour
Pattern	1~8 patterns (120 sec memory)
Auto Scan	1~8 (programmable speed & diagonal scan)
Flip	Auto Flip (On/Off)
Privacy Zone Masking	4 Privacy Zones (8 Group) Total 32 Privacy Zones
Alarm	4 inputs / 1 output
Camera ID	1 ~ 99
OSD	Dome ID, Pan/Tilt Angle Range, Mode



IMSDI10 | IMSDO10 Mini Speed Dome

Infinique offers the world smallest Mini Speed Dome Camera, that has advanced features such as privacy zone blanking, preset tour, alarms and more. These high resolution cameras are easy to install using a single UTP cable and are available for both indoor and outdoor applications.

Model numbers:

Mini Speed Dome Indoor: IMSDI10-N (NTSC) | IMSDI10-P (PAL)
 Mini Speed Dome Outdoor: IMSDO10-N (NTSC) | IMSDO10-P (PAL)

Camera Specifications	
Image Device	1/4" Interline Transfer CCD
Lens	10X Optical Auto Focus Zoom, 10X Digital Zoom
Min Focus Distance	1,000mm
Sync System	2:1 Interline
S/N Ratio	More than 50dB (AGC off)
Total Pixel	NTSC: 410K PAL: 470K
Effective Pixel	NTSC: 768 (H) X 494 (V) PAL: 752 (H) X 582 (V)
Day & Night	Auto ICR
Horizontal Resolution	Color: 500TVL(wide end) B/W 570TVL(wide end)
Minimum Illumination	Color: 0.7Lux (F=1.8, 50IRE) B/W: 0.02Lux(F=1.8, 50 IRE)
Video Output Signal	VBS: 1.0 Vp-p(75 ohm load)
Control Method	RS-485,422 Baud rate 2400bps(STD.)(Opt.38400,4800,9600)
White Balance	ATW / AWC / Manual

General	
Operating Temperature	Indoor: 0°~70°C Outdoor: -20°~70°C
Operating Humidity	Up to 90% non condensing
Storage Temperature	-20°~70°C
Fan & Heater	Outdoor: Built-in Fan & Heater, Operation: -4°C / 24.8°F
IP Rating	Outdoor: IP67 (waterproof)
Power Supply	DC12V, 750mA or DC12V/AC 12V dual voltage (Opt.)
Weight	Indoor : 780 g Outdoor : 1400 g
Dimensions	Indoor : $\varnothing 125 * 129.4$ (h) mm Outdoor: $\varnothing 132.5 * 162.05$ mm
Bubble Size	3.5"
Certifications	CE, FCC, RoHS, VCCI Compliance

Bracket Options - Indoor Camera	Outdoor Camera
 IBIMDWM  IBIMDCE  IBIMDFM	 IBOMDWM  IBOMDCE  IBOMDSM  IBOMDSS

Design and specifications subject to change without prior notice.

